



Product Detail



Product Line:	Johnson (Click for customer service)
Part Number:	105-0760-001
Description:	Horizontal Test Jack - Insulated Standard
Product Family:	TEST JACK
Body Material:	Nylon 6/6 per ASTM D4066
Breakdown Voltage:	2100 Vrms min.
Color / Finish:	Blue
Contact Material:	Copper aluminum alloy
Contact Finish:	Silver
Contact Termination:	Solder
Current:	5 amps
Description:	Insulated Standard
For Use With:	.080 (2.00) Tip Plug
RoHS Compliant:	Yes

20070523-1523

Horizontal Test Jack Insulated Standard

SPECIFICATIONS

Contact: Copper aluminum alloy*

Finish: Gold or Silver

Body: Nylon 6/6 per ASTM D4066

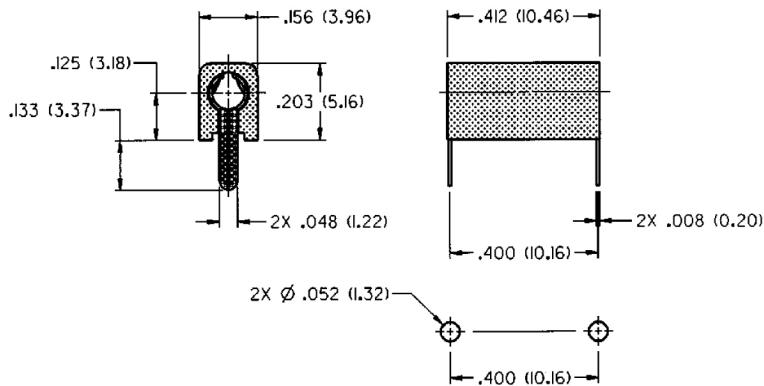
RATINGS

Current: 5 amps

Breakdown Voltage: 2100 Vrms minimum †

Contact Resistance: Gold: 0.005 ohms maximum
Silver: 0.010 ohms maximum

Adjacent Jack C: 1 pF maximum at 1 MHz



MOUNTING HOLE LAYOUT

SILVER PLATING	
105-0760-001	Blue

For Standard Tip Plug: .080 (2.00) Diameter

FEATURES:

- Contact protected from flux and solder
- Probe access from both ends or top
- Nylon UL approved for self extinguishing

* A new material development that, for this application, meets or exceeds beryllium copper.